

Specifications


Description

Adcraft's non-insulated heater proofer cabinet is ideal for all your food holding and proofing needs. Constructed of non-corrosive aluminum throughout the cabinet that allows you to hold prepared foods at proper serving temperatures for extended periods of time. The air baffle and circulating air blower provide even heat distribution throughout the cabinet. A removable control drawer with LED thermostat gives you complete control over the operating temperature and humidity range and doesn't require opening the door to use. This item comes standard with 5" heavy duty castors and a clear lexon door with aluminum frame. It ships knocked down and is easy to assemble (Tools and hardware kit included). The overall dimensions of this unit are 21"W x 31.25"D x 67.25"H. The cabinet dimensions are 18"W x 26.25"D x 52.75"H which will allow you to fit 36-18" x 26" pans (sold separately). The heating temperature range for this item is 80°F - 185°F and a humidity proofing range of 30% - 100%. It is CE certified and is backed by Adcraft's 1 year replace or repair warranty.

Construction

- Cabinet made of non-corrosive aluminum
- Clear lexon door with aluminum frame
- Ships knocked down and easy to assemble
- 5" heavy duty swivel castors with brakes
- Fits 36 - 18" x 26" pans (not included)

Control Drawer

- Removable control drawer
- Air baffle and circulating air blower provides even heat throughout the cabinet
- Easy to use controls that don't require opening the door
- Flip switch makes it easy to switch from heat to proof modes. Temperature and humidity control dials allow for accurate settings.
- Easy to read LED thermostat
- 120V, 1800W, 15 Amps, NEMA 5-15 plug 

Door

- Clear lexon door with anodized aluminum frame that will not dull
- Door lifts off for easy cleaning and accessibility

Heater Proofer Cabinet Non-Insulated

Models:

- PW-120 - Complete Set
- PW-120/C - Cabinet
- PW-120/H - Control Drawer



(Pans sold separately)

Accessories (Sold Separately)

- BP-1826 - Full size 18"x26" aluminum bun pan

Certifications/Approvals



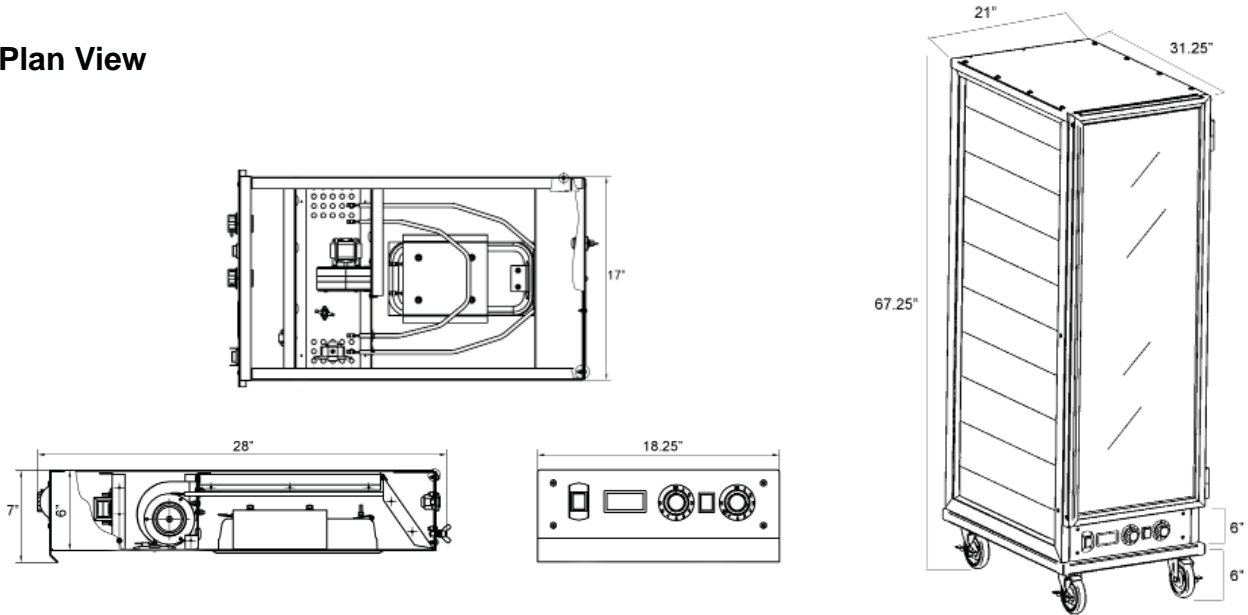
Warranty: This product is protected by Admiral Craft Equipment Corporation's one year limited warranty. Should your product fail under normal use it will be repaired or replaced up to one year from date of purchase.



Date: _____
 Item No.: _____
 Project No.: _____

Heater Proofer Cabinet - PW-120

Plan View



*52" total depth with door open

Specifications

Model Number	Description	Wattage	Voltage	Amps
PW-120	Heater Proofer Complete Unit	1800W	120V/60Hz	15
PW-120C	Cabinet w/Door	N/A	N/A	N/A
PW-120H	Control Drawer	1800W	120V/60Hz	15

Item Number	Dimensions	Gross Weight	Net Weight
PW-120	21"W x 31.25"D x 67.25"H	148 lbs (67kgs)	112 lbs (51kgs)
PW-120C	18"W x 26.25"D x 52.75"H	127 (57.5kgs)	94 lbs (42.5kgs)
PW-120H	18.25"W x 28"D x 7"H	21 lbs (9.5kgs)	18 lbs (8.5kgs)

For more information about this or any of our other products go to www.admiralcraft.com. This item is listed on AutoQuotes. For full explanation of warranty coverage on this product please refer to warranty page located in the owner's manual and warranty section at www.admiralcraft.com. Specifications subject to change without notice. Please confirm at time of order.

Specifications

Description

Adcraft's heater proofer control drawer with LED thermostat gives you complete control over the operating temperature and humidity range for inside the cabinet and doesn't require opening the door to use. The heating temperature range this item gives off is 80°F - 185°F and a humidity proofing range of 30% - 100%. The dimensions for this drawer are 18.25"W x 28"D x 7"H and fits most major brands heater proofer cabinets. 120V, 1800W and 15 Amps. It is CE certified and is backed by Adcraft's 1 year replace or repair warranty.

Control Drawer

- Aluminum construction
- Removable control drawer slides securely into place
- Air baffle and circulating air blower provides even heat distribution throughout the cabinet
- Easy to use controls that don't require opening the door
- Temperature and humidity control dials allow for accurate settings.
- Easy to read LED thermostat

Electrical

- 5' power cord with NEMA 5-15 plug 

Heat/Proof controls

- Heating temperature range of 80°F - 185°F
- Humidity proofing range of 30% - 100%
- Flip switch makes it easy to switch from heat to proof mode.

Specifications

Heater Proofer Control Drawer

Model:

PW-120H



Fits the following heater proofers:

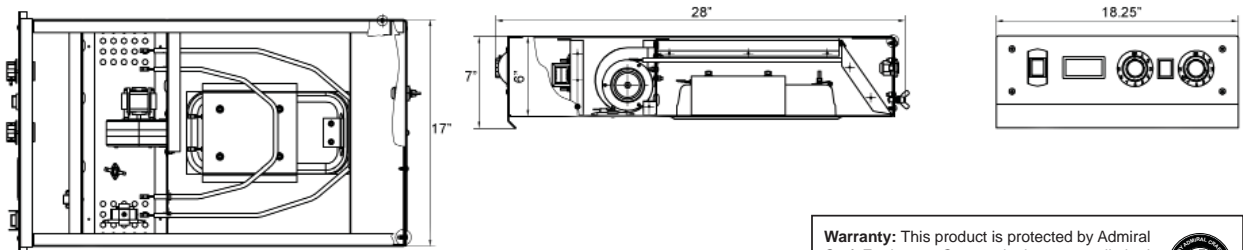
- Adcraft PW-120
- Win-Holt NHP and NHPL models

Certifications/Approvals



Model Number	Description	Wattage	Voltage	Amps	Dimensions	Gross Weight	Net Weight
PW-120H	Control Drawer	1800W	120V/60Hz	15	18.25"W x 28"D x 7"H	21 lbs (9.5kgs)	18 lbs (8.5kgs)

Plan View



For more information about this or any of our other products go to www.admiralcraft.com. This item is listed on AutoQuotes. For full explanation of warranty coverage on this product please refer to warranty page located in the owner's manual and warranty section at www.admiralcraft.com. Specifications subject to change without notice. Please confirm at time of order.

Warranty: This product is protected by Admiral Craft Equipment Corporation's one year limited warranty. Should your product fail under normal use it will be repaired or replaced up to one year from date of purchase.

