



REFRIGERATION

SERVING THE FOOD INDUSTRY SINCE 1951

STAINLESS STEEL REFRIGERATOR WITH 2 GLASS DOOR

Item: 51026 | Model: RE-CN-0041-G-HC

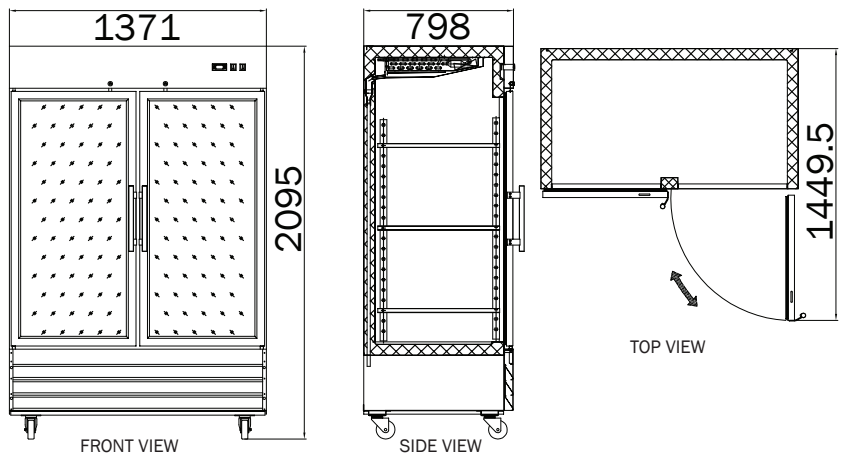
THE PERFECT SOLUTION TO EXHIBIT COLD MERCHANDISE

TECHNICAL SPECIFICATIONS

Item	51026	Temperature Range	0.5 - 5 °C 33 - 41 °F
Model	RE-CN-0041-G-HC	Refrigerant	R290
Electrical	115V / 60Hz / 1Ph	Cooling System	Ventilated
Amps & HP	3.8 Amps 1/4+ HP	Weight	469.6 lbs 213 kg
Capacity	1330.9 L 47 cu. ft	Gross Weight	553.4 lbs 251 kg
Shelf Capacity	1169 L 41.3 cu. ft	Interior Dimensions	27.1" x 49.5" x 53.5"
No. of Shelves	6	Dimensions (DWH)	32.25" x 54" x 82.5"
Max. Ambient Temperature	32 °C 89.6 °F	Gross Dimensions	34.6" x 56.5" x 84.4"



TECHNICAL DRAWINGS & DIMENSIONS



WARRANTY
2 YEARS PARTS & LABOR
5 YEARS ONLY ON COMPRESSOR



Authorized Dealer

