



REFRIGERATION

SERVING THE FOOD INDUSTRY SINCE 1951

SQUARE GLASS COUNTERTOP REFRIGERATED SHOWCASES

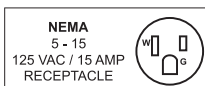
Items: 47107, 47278, 47279



ATTRACTIVELY DESIGNED TO BOOST IMPLUSE SALES WHILE KEEPING THEIR FRESHNESS AT SAFE TEMPERATURES WITH OMCAN'S SQUARE GLASS COUNTERTOP REFRIGERATED DISPLAY



WARRANTY
PARTS AND LABOR



Authorized Dealer

REFRIGERATION

SQUARE GLASS COUNTERTOP REFRIGERATED SHOWCASE



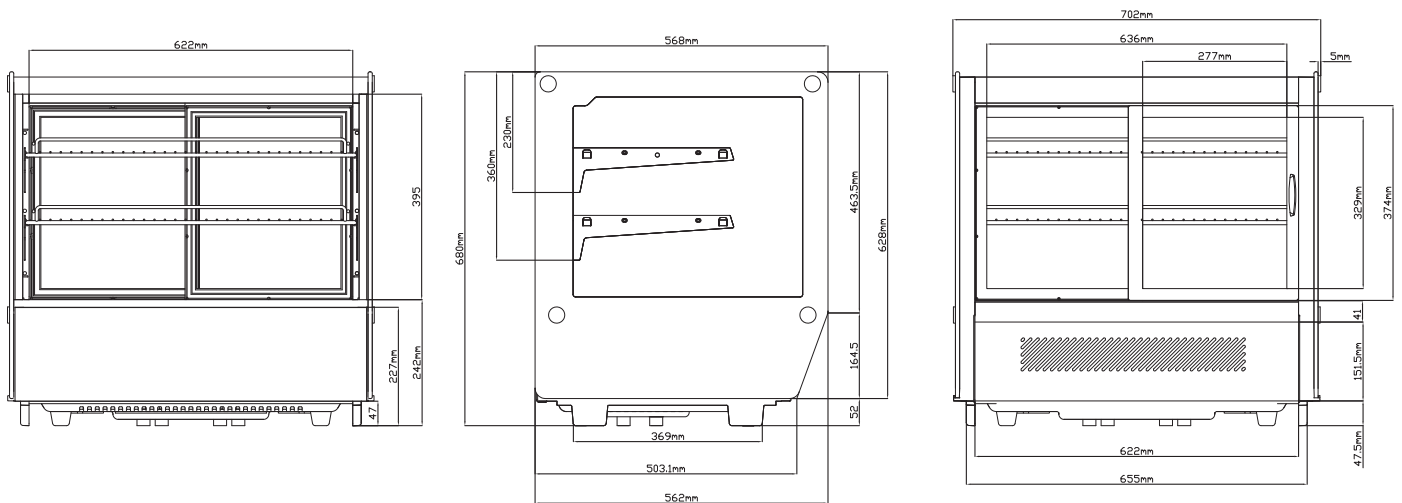
TECHNICAL SPECIFICATIONS

120 L Square Glass Countertop Refrigerated Showcase

Item	47107
Model	RS-CN-0120-5
Electrical	110V / 60Hz / 1Ph
Power Input	160 W
Rated Current	2.7 Amps
Capacity	120L 4.2 cu. ft.
Shelf Capacity	33 lbs 15 kg
Rack Size	13.2" x 25" 335 x 636 mm 14.4" x 25" 367 x 636 mm
Max. Ambient Temperature	30°C 86°F
Temperature Range	0 - 12°C 32 - 53.6°F
Refrigerant	R290
Net Weight	125.7 lbs 57 kg
Gross Weight	132.3 lbs 60 kg
Dimensions (DWH)	27.6" x 22.4" x 27" 702 x 568 x 686 mm
Gross Dimensions	30.4" x 24.7" x 29" 773 x 627 x 735 mm



TECHNICAL DRAWINGS & DIMENSIONS



*measurements in diagrams are in mm

OMCAN INC.

Telephone: 1-800-465-0234
 Fax: (905) 607-0234
 Email: sales@omcan.com
 Website: www.omcan.com



Follow us to keep up to date with the latest news and offers



2017E&OE

REFRIGERATION

SQUARE GLASS COUNTERTOP REFRIGERATED SHOWCASE



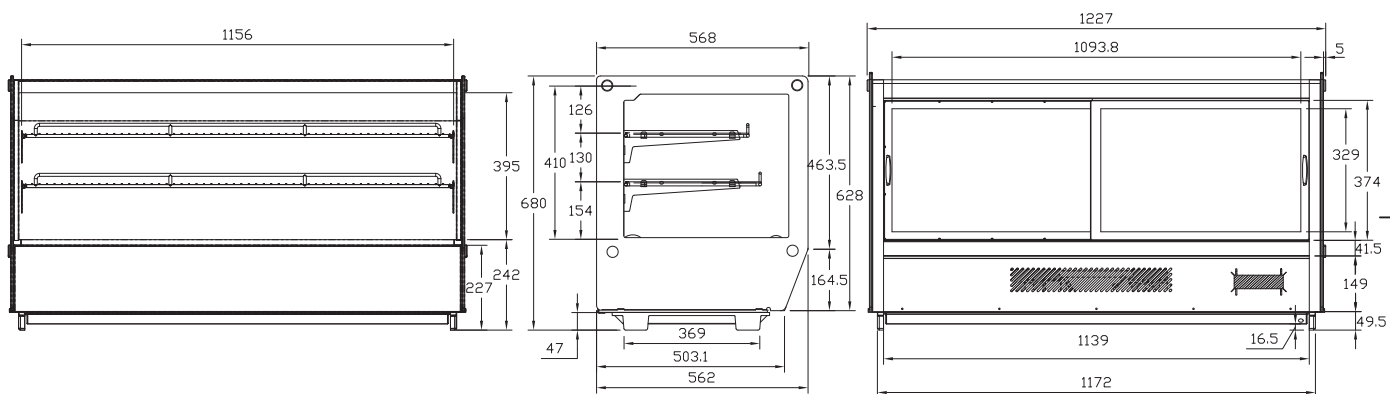
TECHNICAL SPECIFICATIONS

160 L Square Glass Countertop Refrigerated Showcase

Item	47278
Model	RS-CN-0160-5
Electrical	110V / 60Hz / 1Ph
Power Input	160 W
Rated Current	3 Amps
Capacity	160L 5.65 cu. ft.
Shelf Capacity	33 lbs 15kg
Rack Size	13.2" x 32" 335 x 813 mm 14.4" x 32" 367 x 813 mm
Max. Ambient Temperature	30°C 86°F
Temperature Range	0 - 12°C 32 - 53.6°F
Refrigerant	R290
Net Weight	145.5 lbs 66 kg
Gross Weight	153.2 lbs 69.5 kg
Dimensions (DWH)	34.6" x 22.4" x 27" 880 x 568 x 686 mm
Gross Dimensions	37.4" x 24.7" x 29" 951 x 627 x 735 mm



TECHNICAL DRAWINGS & DIMENSIONS



*measurements in diagrams are in mm

OMCAN INC.

Telephone: 1-800-465-0234
 Fax: (905) 607-0234
 Email: sales@omcan.com
 Website: www.omcan.com



Follow us to keep up to date with the latest news and offers



2017E&OE

REFRIGERATION

SQUARE GLASS COUNTERTOP REFRIGERATED SHOWCASE



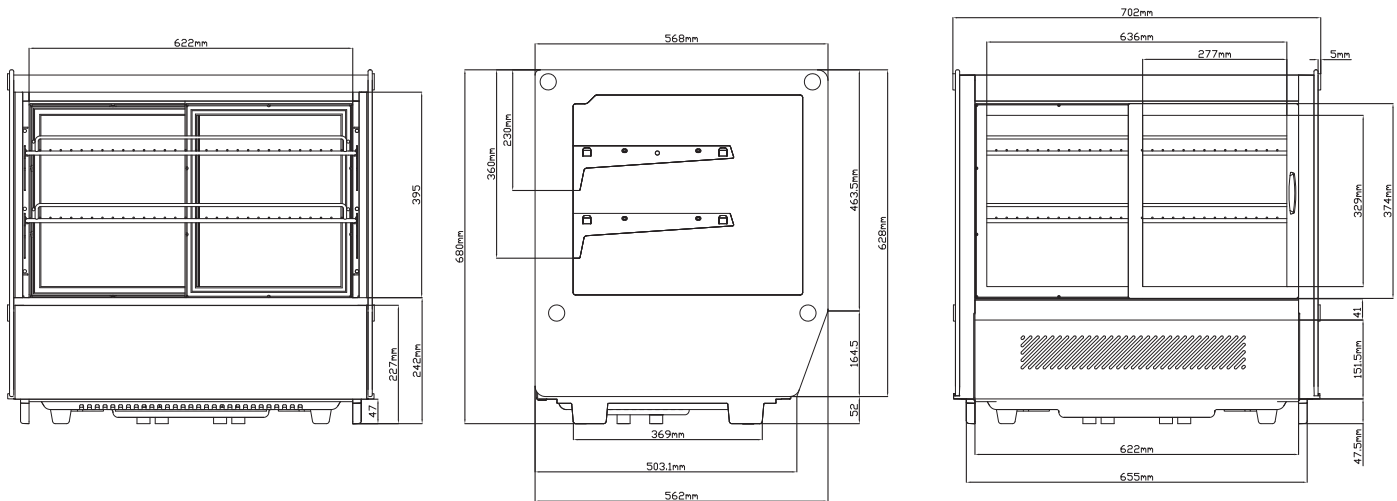
TECHNICAL SPECIFICATIONS

202 L Square Glass Countertop Refrigerated Showcase

Item	47279
Model	RS-CN-0202-5
Electrical	110V / 60Hz / 1Ph
Power Input	360 W
Rated Current	3.9 Amps
Capacity	202L 7.13 cu. ft.
Shelf Capacity	44 lbs 20 kg
Rack Size	13.2" x 45.5" 335 x 1156 mm 14.4" x 45.5" 367 x 1156 mm
Max. Ambient Temperature	30°C 86°F
Temperature Range	0 - 12°C 32 - 53.6°F
Refrigerant	R290
Net Weight	198.4 lbs 90 kg
Gross Weight	203.9 lbs 92.5 kg
Dimensions (DWH)	48" x 22.4" x 27" 1219 x 568 x 686 mm
Gross Dimensions	50.8" x 24.7" x 29" 1290 x 627 x 735 mm



TECHNICAL DRAWINGS & DIMENSIONS



*measurements in diagrams are in mm

OMCAN INC.

Telephone: 1-800-465-0234
 Fax: (905) 607-0234
 Email: sales@omcan.com
 Website: www.omcan.com



Follow us to keep up to date with the latest news and offers



2017E&OE