



PROJECT

ITEM NO:

QUANTITY:

Gas Radiant Broilers

FEATURES & CONSTRUCTION:

- Stainless steel front and galvanized sides
- Steel U-shape burner, each 30,000 BTU/hr and one for every 12 "
- Hot rolled steel radiant cover
- Cast iron cooking grate can be reversed for different cooking food
- Cooking grate height can be adjusted
- Standby stainless steel pilot for easy start
- Adjustable heavy duty stainless steel legs
- Grease through in the front for easy cleaning
- Stainless steel grease collector pan in the bottom
- Stainless steel splash guard at 3 sides
- Durable brass control valve
- Easy access to pilot valve with adjustment screws
- Easy gas conversion in field
- 3/4" NPT rear gas connection
- Packaged with carton box, wood strip and with pallet.
- All units shipped K.D., but easily assembled.

MATERIAL:

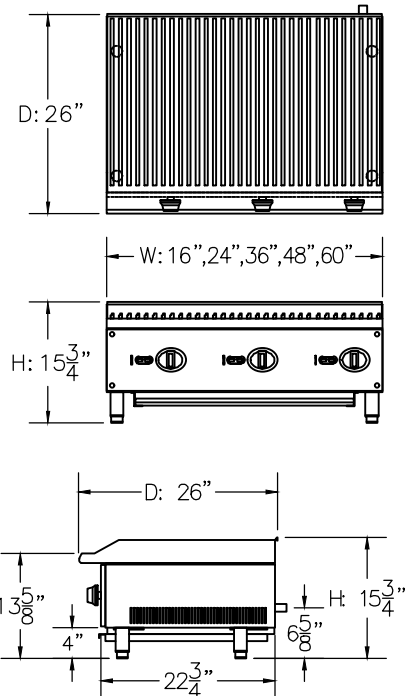
- Front & Landing: Stainless Steel
- 3 Side Splash Guard: Stainless Steel
- Rear & Sides Body: Galvanized Steel
- Cooking Grate: Cast Iron
- Radiant Cover: Hot Roll Steel
- Grease Pan: Stainless Steel
- Leg: Stainless Steel (1" Adj.)



Model: SE-CCB36



Model #	BTU/HR	Cooking Dimension	Burner Qty	Packing Size	Net Weight	Gross Weight	Unit Size		
							L	D	H
SE-CCB16	30,000	16"x18.3"	1	20"x31"x20"	95 lbs.	121 lbs.	16"	26"	15-3/4"
SE-CCB24	60,000	24"x18.3"	2	29"x31"x20"	119 lbs.	154 lbs.	24"		
SE-CCB36	90,000	36"x18.3"	3	40"x31"x20"	163 lbs.	218 lbs.	36"		
SE-CCB48	120,000	48"x18.3"	4	50"x31"x20"	244 lbs.	359 lbs.	48"		
SE-CCB60	150,000	60"x18.3"	5	63"x31"x20"	300 lbs.	415 lbs.	60"		



Installation Instruction

1. A gas pressure regulator supplied with the unit must be installed. 3/4" gas connection, Natural gas 4.0" W.C. Propane gas 10.0" W.C.
2. An adequate ventilation system is required for commercial cooking equipment
3. These units are manufactured for installation in accordance with National Fuel Gas Code ANSI-Z223.1/NFPA #54 (latest edition).
4. This appliance is intended for commercial installation only and is not intended for home use.
5. Equipment clearance requirement:
Non-Combustibles: Sides 0" Back 0" Combustible: Side 4" Back 4"
6. All the installation must be performed by qualified technicians.
7. For gas conversion, please refer to conversion instruction in the instruction manual book.

Specifications subject to change without notice.

All dimensions are typical (Tolerance 1/2").



Rev. 06/23

SAPPHIRE MANUFACTURING
Tel: 718-543-2111
Fax: 718-543-2121

info@sapphiremanufacturing.com
WWW.SAPPHIREMANUFACTURING.COM