

TECHNICAL DATA SHEET

Rely® Hybrid Electronic Touchless Soap Dispenser



Product Code: SH900*/SHF900*

The dispenser that switches to manual when batteries are low

SIMPLE TO USE

No adjustments needed

UNIVERSAL

Dispenses bulk liquid, lotion, foam soap and hand sanitizer

RELIABLE

Long life - 80,000 cycles off 4 C-Alkaline batteries

SAVINGS

2 dosage settings

Full dose - 1 ml. Half dose - 0.5 ml.

INSTALLATION

Wall mounted - hardware not included

CLOSURE

With lock

COLOR

Transparent Black Pearl (TBK),

Transparent Arctic Blue (TBL)

DIMENSIONS H x W x D

12" x 5.5" x 4"

(304.8 x 139.7 x 101.6 mm)

CAPACITY

900 ml

CASE WEIGHT

2.5 lbs.

(1.13 kg)

MATERIALS

Base: break resistant plastic

Cover: break resistant plastic

STANDARD PRODUCT CODES

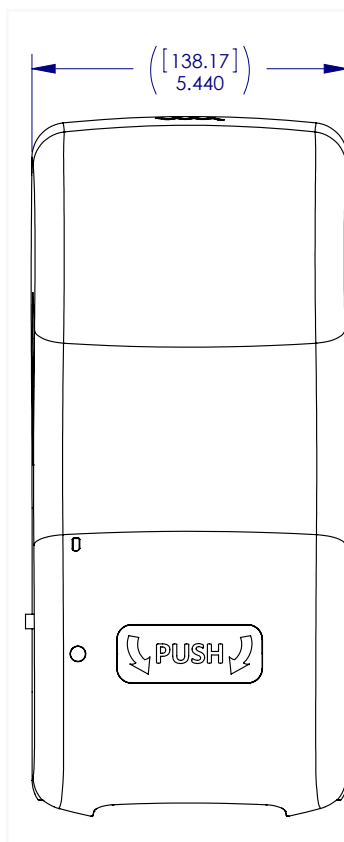
SH900TBK

SH900TBL

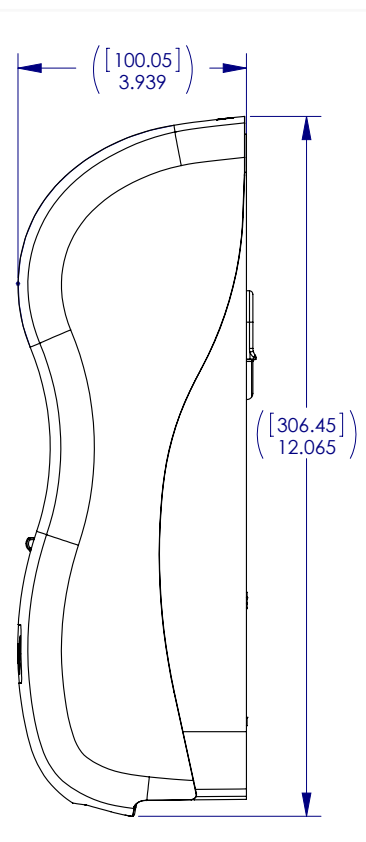
SHF900TBK (foam)

SHF900TBL (foam)

Front



Side



San Jamar

555 Koopman Lane
Elkhorn, Wisconsin 53121
USA
T: +1.262.723.6133
F: +1.262.723.4204
info@sanjamar.com
www.sanjamar.com

Canada

15252 32nd Avenue
Suite 309
Surrey, BC V3S 0R7
CANADA
T: +1.262.723.6133
F: +1.262.723.4204
canada@sanjamar.com

Europe

Schoorstraat 26a, bus 1
2220 Heist op-den Berg
BELGIUM
T: +32 15 22 81 40
F: +32 15 22 81 48
emea@sanjamar.com

México

Av. Paseo de la Reforma No. 350 - 10
Col. Juárez
Deleg. Cuauhtemoc, CP 06600
MEXICO, D.F.
T: +52 (55) 3626 0772
mexico@sanjamar.com

