

Project _____

Item Number _____

Quantity _____

SL80RB / SL120RB



SL80RB / SL120RB SILVERLINE Spiral Mixers with Removable Bowl

Models:

- SL80RB: 137 quart (130 Liter) Spiral Mixer
- SL120RB: 180 quart (170 Liter) Spiral Mixer



Spiral Mixer
with Removable Bowl

Features:

- Stainless steel bowl, spiral dough hook, and shaft
- Separate bowl and agitator motors
- Has two speeds and reverse function
- Control board has separate timers for 1st and 2nd speed
- Safety switches protect operator from injury if bowl lid is open
- Powerful belt drive provides low vibration, low noise, and economical maintenance for years of reliable service

Standard Accessories:

- Stainless steel bowl
- Dolly with bowl for 80 or 120 depending on machine
- Electromagnetic hook for bowl

Optional Accessories:

- Extra dolly with bowl

Univex Corporation

Dough Capacity:

SL80RB: 176lb (80kg)
SL120RB: 265lb (120kg)

Dough hook:

1st speed: 95 rpm
2nd speed: 190 rpm

Bowl:

20 rpm

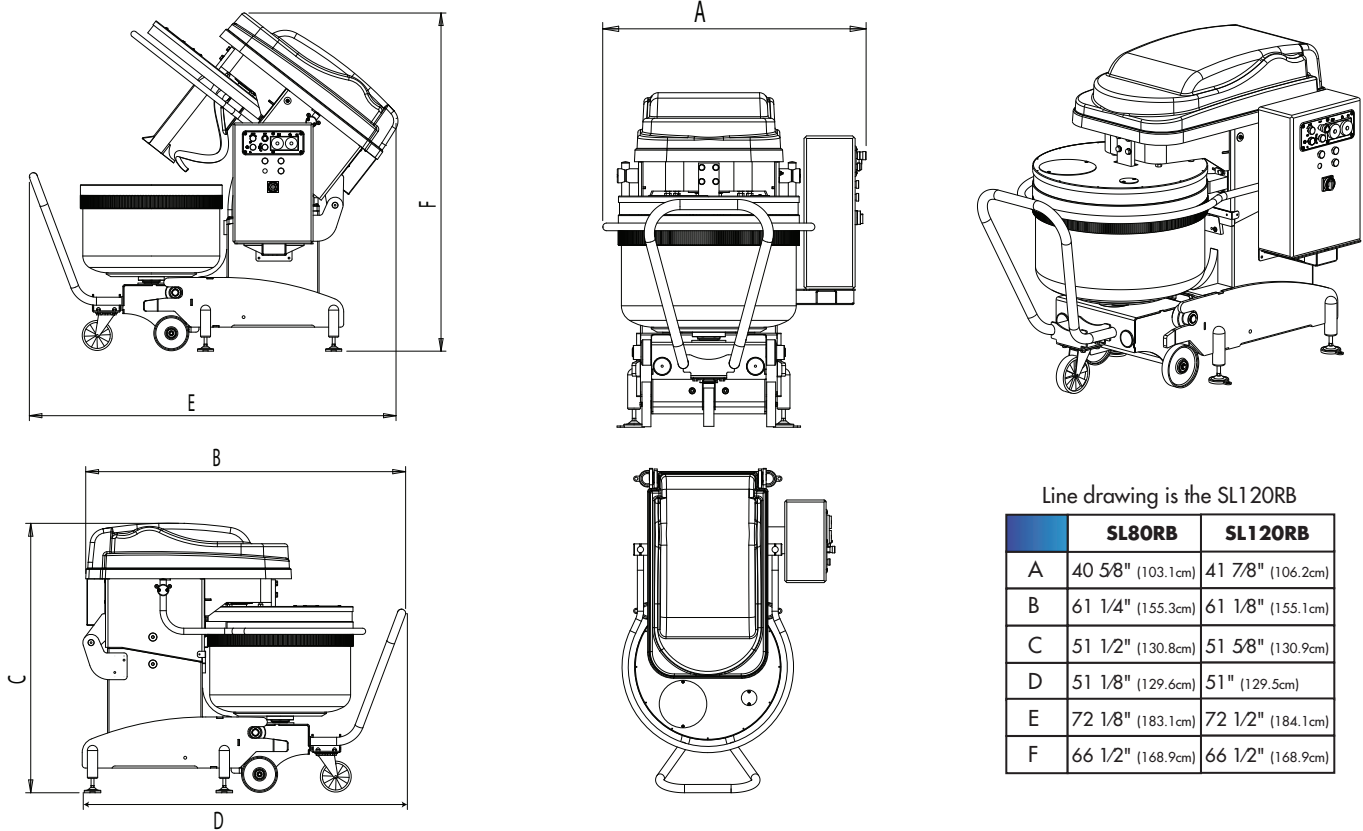
Warranty:

- One year, on-site parts and labor



WE RAISE THE BAR. WE SET THE STANDARD.

SILVERLINE Spiral Mixer with Removable Bowl SL80RB / SL120RB



Line drawing is the SL120RB

	SL80RB	SL120RB
A	40 5/8" (103.1cm)	41 7/8" (106.2cm)
B	61 1/4" (155.3cm)	61 1/8" (155.1cm)
C	51 1/2" (130.8cm)	51 5/8" (130.9cm)
D	51 1/8" (129.6cm)	51" (129.5cm)
E	72 1/8" (183.1cm)	72 1/2" (184.1cm)
F	66 1/2" (168.9cm)	66 1/2" (168.9cm)

Transmission: Heavy duty low noise and low vibration belt drive.

Bowl Guard: Swings open for full access to bowl. Guard must be closed for mixer operation.

Controls: Control panel with digital timers. Separate timers for high and low speed.

Security key for manual use. Bowl reverse direction switch.

Plug Info: Hard Wire With Shutoff

Electrical Information (60Hz)

Model	Standard Voltage	Phase	Spiral hp(kW)	Bowl hp(kW)	Head hp(kW)	Total hp(kW)	Spiral Amps	Bowl Amps	Head Amps	Total Amps
SL80RB	220	3	11 (8)	1 (.75)	1 (.75)	13 (9.50)	38.5	4.48	4.48	47.46
SL80RB Optional	380	3	11 (8)	1 (.75)	1 (.75)	13 (9.50)	19.25	2.24	2.24	21.49
SL120RB	220	3	11 (8)	1 (.75)	1 (.75)	13 (9.50)	38.5	4.48	4.48	47.46
SL120RB Optional	380	3	11 (8)	1 (.75)	1 (.75)	13 (9.50)	19.25	2.24	2.24	21.49

Shipping Information

Model	Net Weight	Shipping Weight	Overall Dimensions
SL80RB	1,410 lbs. (639.6Kg)	1,521 lbs. (689.9Kg)	79" (200.7cm) H x 41" (104.1cm) W x 73" (185.4cm) D
SL120RB	1,433 lbs. (650Kg)	1,543 lbs. (699.9Kg)	79" (200.7cm) H x 41" (104.1cm) W x 73" (185.4cm) D

*The weight and dimensions of the pallet are included in the weight and dimensions above.



Univex Corporation
www.Univexcorp.com

3 Old Rockingham Rd
Salem, NH 03079
United States of America

INTL TEL: (800)258-6358

TEL: (603)893-6191

INTL FAX: (800)356-5614

FAX: (603)893-1249