



4184 E. Conant st., Long Beach, CA 90808  
 Tel. 800-500-3519 Fax. 310-900-1066  
[www.turboairinc.com](http://www.turboairinc.com)

Project :

Model # :

Item # :

Qty :

Available W/H :

Approval :

## Heavy Duty Wok Ranges

**Model : TAWR-16  
TAWR-16-JB**



### ≡ FEATURES & BENEFITS ≡

- High quality stainless steel front and sides
- Stainless steel welded wok top
- Anti-clogging jet burner 125,000 btu/hr
- 3/4" rear gas connection
- Available in 13" and 16" opening wok top
- Continuous pilot for instant ignition
- 12" heavy duty legs included
- Gradual slope design to reduce spill overs
- Galvanized legs



Model	Type of Burners	Total BTUs	Crated Weight (lbs.)	L x D'x H (inches)
TAWR-16	Duck	125,000	125	177/8 x 203/4 x 341/8
TAWR-16-JB	Jet	125,000	125	177/8 x 203/4 x 341/8

# Heavy Duty Wok Ranges

## Model : TAWR-16 / TAWR-16-JB

GAS DATA	TAWR-16	TAWR-16-JB
Gas Type	NAT/LP Convertible	NAT/LP Convertible
Gas Connection	3/4"	3/4"
Regulator	3/4"	3/4"
Gas Pressure	NAT : 5W.C" / LP : 10W.C"	
Clearance	NON-COMBUSTIBLE : 0" / COMBUSTIBLE : 17"	
BTU	125,000	125,000
Type of Burner	Duck	Jet
SHIPPING DATA		
Class	85	85
Length (in.)	17 <sup>7</sup> / <sub>8</sub> (455mm)	17 <sup>7</sup> / <sub>8</sub> (455mm)
Depth (in.)*	20 <sup>3</sup> / <sub>4</sub> (526mm)	20 <sup>3</sup> / <sub>4</sub> (526mm)
Height (in.)	34 <sup>1</sup> / <sub>8</sub> (867mm)	34 <sup>1</sup> / <sub>8</sub> (867mm)
Shipping Weight (lbs.)	125	125

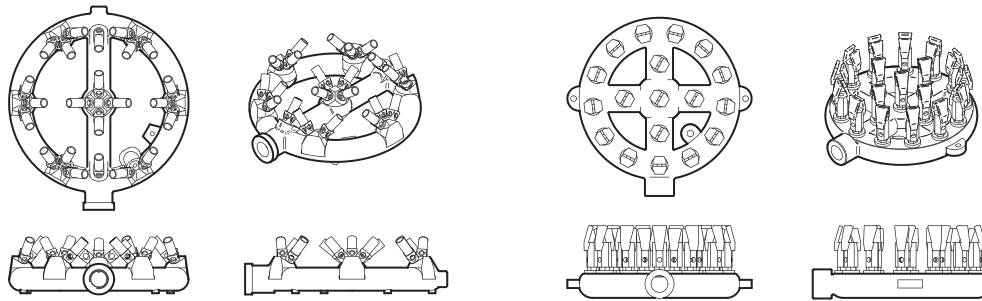
Design and specifications subject to change without notice.

Actual shipping weight may differ due to extra packing materials for product protection.

\* Depth does not include 3/4" for rear gas connection and on-off knob.

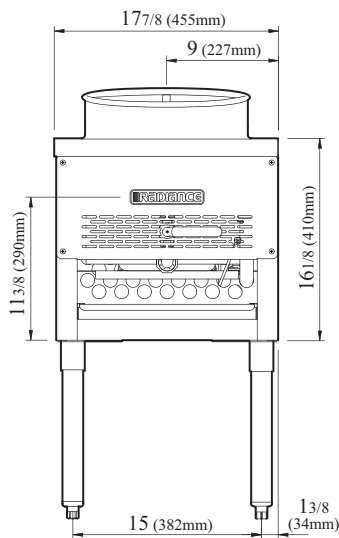
■ **WARRANTY : 1 Year Parts and Labor Warranty**

(unit : inch) **PLAN VIEW**

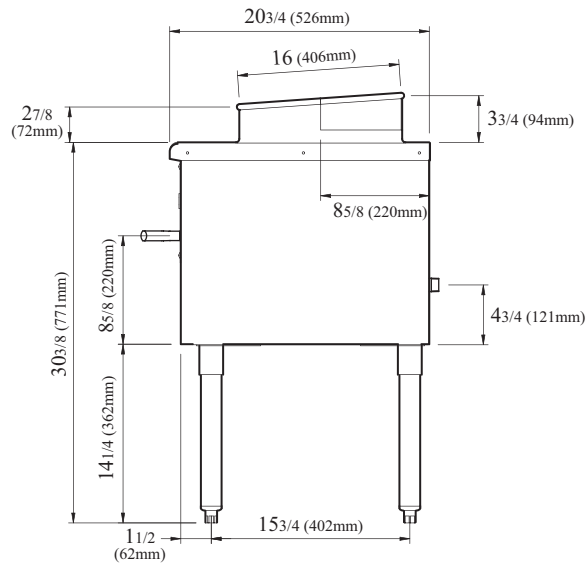


**BURNER JET ASSY**

**BURNER DUCK ASSY**



**FRONT VIEW**



**SIDE VIEW**

Ver.201601



- Turbo Air : 800-627-0032 ■ GK : 800-500-3519
- Warranty : 800-381-7770 ■ AC : 888-900-1002

REFRIGERATOR MANUFACTURER  
**Turbo air**

**GERMAN KNIFE**

**RADIANCE**

**GREEN WORLD**

AIR CONDITIONER MANUFACTURER  
**Turbo air**