



Item # _____

Job _____

HALF-HEIGHT HEATED TRANSPORT CABINETS*

TC90 FlavorHold™ Series

- **Choice of Two Models:** The TC90S holds up to nine 12" x 20" (305 x 508mm) steam table pans; the TC90B holds up to nine 18" x 26" (457 x 660mm) bun pans.
- **Mobile:** Five-inch (127mm), non-marking neoprene casters (two with brakes) and side-mounted lift handle provide ease of mobility. Both styles have a low center of gravity for safe transport or convenient under counter storage and use.
- **High Performance:** TC90S and TC90B hold hot prepared foods. A closed loop thermal brake reduces heat transfer; air vent provides moisture control. The double-walled heated cabinets are Energy Star rated.
- **Analog Thermometer:** Allows temperature monitoring at any time, even when unit is not plugged in.
- **Cleans Easily:** Smooth stainless cabinet interior and removable slide racks make cleaning easy. Control panel is also removable for cleaning or maintenance.
- **Door Opens Easily; Latches Securely:** A magnetic catch holds door shut securely; travel latch prevents opening while in transit. Convenient kick latch provides easy "hands-free" opening.



TC90S
shown with bumper



TC90B
(Pan not included)



InterMetro Industries Corporation
North Washington Street
Wilkes-Barre, PA 18705
www.metro.com



Half-Height Heated Transport Cabinets — TC90 FlavorHold™ Series

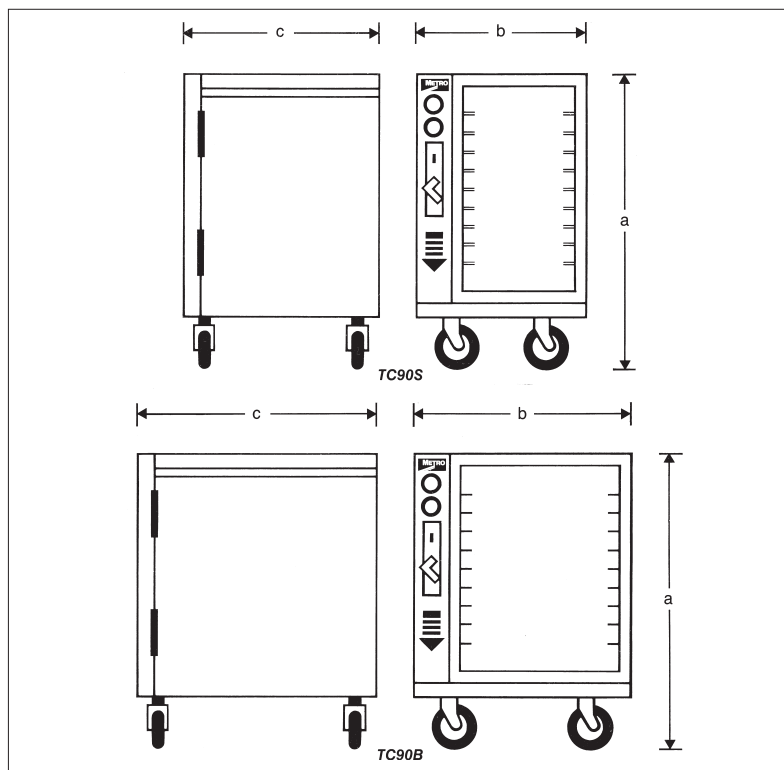
13-28



HALF-HEIGHT HEATED TRANSPORT CABINETS — TC90 FlavorHold™ Series

Specifications

- Electrical:** Operating range is from 120 degrees to 180 degrees Fahrenheit under normal room temperature conditions. 900 watt, 120 VAC, 8 amp, 60 cycle controlled by an adjustable thermostat with indicator light. 6-foot (1829mm) radiant heating, 3-wire lead cord. NEMA 5-15P plug. UL, CUL and NSF listed.
- Material:** .063" (1.6mm) high-strength aluminum exterior; 18-gauge (.048) stainless interior.
- Slide Racks:** Slide spacing is 2⁵/₈" (66mm) to accommodate pans. TC90S is lip-loaded; TC90B is bottom-loaded. Nickel-chrome plated.
- Casters:** Two B5DN on back — 5" (127mm) double ball bearing swivel, ball bearing axle, nickel-plated, non-marking neoprene tires, pre-lubricated, bolted through separate full-length angle-formed 1/8" (3mm) thick aluminum plates to bottom of chassis. Two B5DNB on front — same as above, with wheel brake.



Metro Heated cabinets are for hot food holding applications only.

Dimensions

Model No.	Style	Height		Width		Depth		Pan Capacity	Approx. Pkd. Wt.	
		(in.)	(mm)	(in.)	(mm)	(in.)	(mm)		(lbs.)	(kg.)
TC90S	Without Bumper	37	940	21 ¹ / ₄	540	24 ³ / ₄	629	9 — 12x20 (305x508mm)*	110	50
TC90SB	With Bumper	37	940	22 ⁷ / ₁₆	570	27 ¹ / ₄	692	9 — 12x20 (305x508mm)*	110	50
TC90B	Without Bumper	37	940	27 ¹ / ₄	692	30 ³ / ₄	781	9 — 18x26 (457x660mm)**	128	58
TC90BB	With Bumper	37	940	28 ⁷ / ₁₆	723	33 ¹ / ₄	845	9 — 18x26 (457x660mm)**	128	58

*TC90S — Holds steam table pans.

**TC90B — Holds bun pans.

Casters — 2 swivel; 2 brake.

All Metro Catalog Sheets are available on our Web Site: www.metro.com



InterMetro Industries Corporation

North Washington Street, Wilkes-Barre, PA 18705

Phone: 570-825-2741

Fax: 570-825-2852

For Product Information:

U.S. and Canada: 1.800.992.1776

Outside U.S. and Canada: www.metro.com/contactus

L02-096
Printed in U.S.A. Rev. 10/11

Information and specifications are subject to change without notice. Please confirm at time of order.

Copyright © 2011 InterMetro Industries Corp.

