



4184 E. Conant St.  
 Long Beach, CA 90808  
 Tel. 800-500-3519  
 Fax. 310-900-1066  
 www.turboairinc.com

Project :	
Model # :	
Item # :	Qty :
Available W/H :	
Approval :	

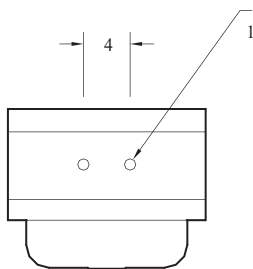
# Hand Sink

**HIGH QUALITY 304 STAINLESS STEEL BODY**

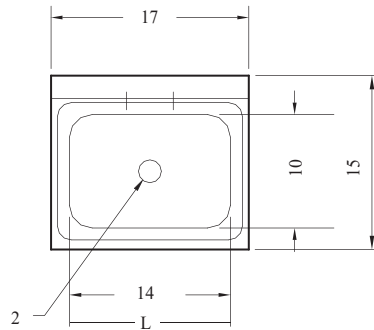
**Model : TSS-1-H**



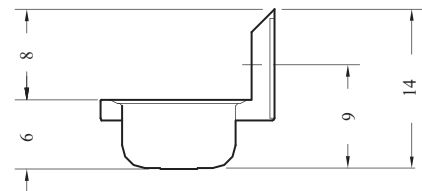
\*Faucet sold separately



FRONT VIEW



TOP VIEW



SIDE VIEW

(unit : inch)

Model	Ga.	Bowl Size (in.)			Overall Size (in.)			Net Weight *
		L	D	H	L	D	H	
TSS-1-H	18	14	10	6	17	15	14	5.9