



REFRIGERATION

Back Bar Coolers with Stainless Steel Top

- Refrigerated back bar coolers are designed with enduring quality and value
- Exterior--heavy duty, wear black resistant coating paint. All stainless steel 304 counter top
- Interior--stainless steel 304 floor and side
- NSF-7 approved for packaged and bottle product
- Positive seal doors with lock and key
- LED light



Specifications

Model	UBB-24-48G	UBB-24-48F	UBB-24-60G	UBB-24-60F	UBB-24-72G	UBB-24-72F
Number of Doors	2		2		3	
Temperature Range	33 ~ 41°F / 0 ~ 5°C		33 ~ 41°F / 0 ~ 5°C		33 ~ 41°F / 0 ~ 5°C	
Capacity	11.8 cu.ft. / 335 L		15.8 cu.ft. / 446 L		19.6 cu.ft. / 556 L	
Product Capacity	672 - 12 oz. cans		912 - 12 oz. cans		1152 - 12 oz. cans	
	2 - kegs		2 - kegs		3 - kegs	
	384 - 12 oz. bottles		504 - 12 oz. bottles		624 - 12 oz. bottles	
Number of Shelves	4		4		6	
Compressor HP	1/3+		1/3+		1/3+	
Voltage	115V / 60Hz		115V / 60Hz		115V / 60Hz	
Amps	6.4A		6.4A		7.4A	
Dimensions (DWH)	24.4" x 48.8" x 36.2"		24.4" x 60.8" x 36.2"		24.4" x 72.8" x 36.2"	
Interior Dimensions (DWH)	20" x 36.2" x 31"		20" x 48.2" x 31"		20" x 60.2" x 31"	
Packaging Dimensions (DWH)	27.6" x 51.2" x 42.3"		27.6" x 63.4" x 42.3"		27.6" x 75.2" x 42.3"	
Weight	271 lbs. / 123 kg.		326 lbs. / 148 kg.		355 lbs. / 161 kg.	
Packaging Weight	315 lbs. / 143 kg.		380 lbs. / 173 kg.		410 lbs. / 186 kg.	
Item #	31861	37547	31862	37548	31863	37549



NEMA
5 - 15
125 VAC / 15 AMP



Glass Door
Models



Solid Door
Models

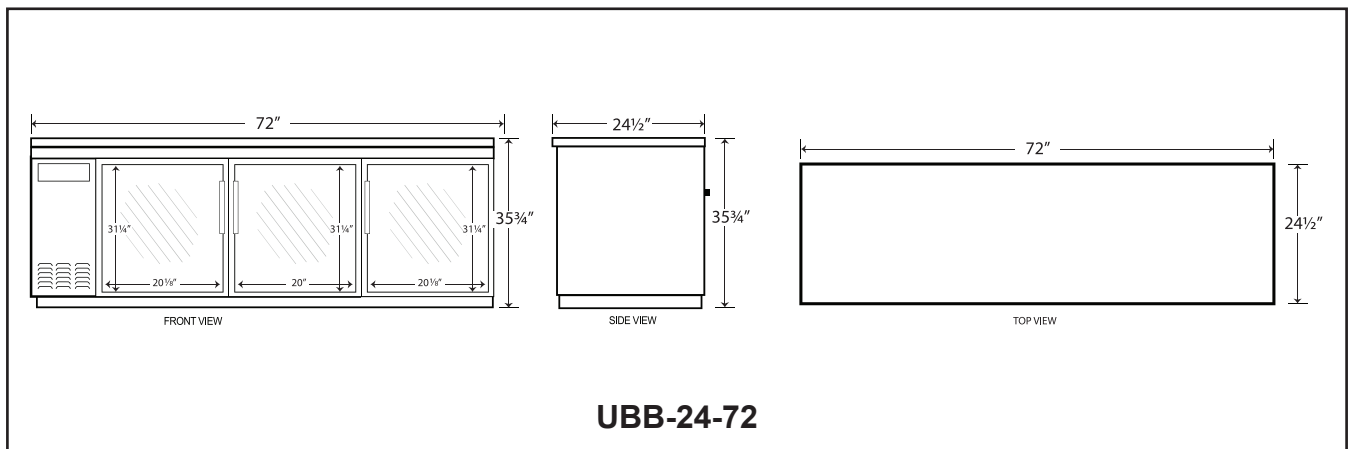
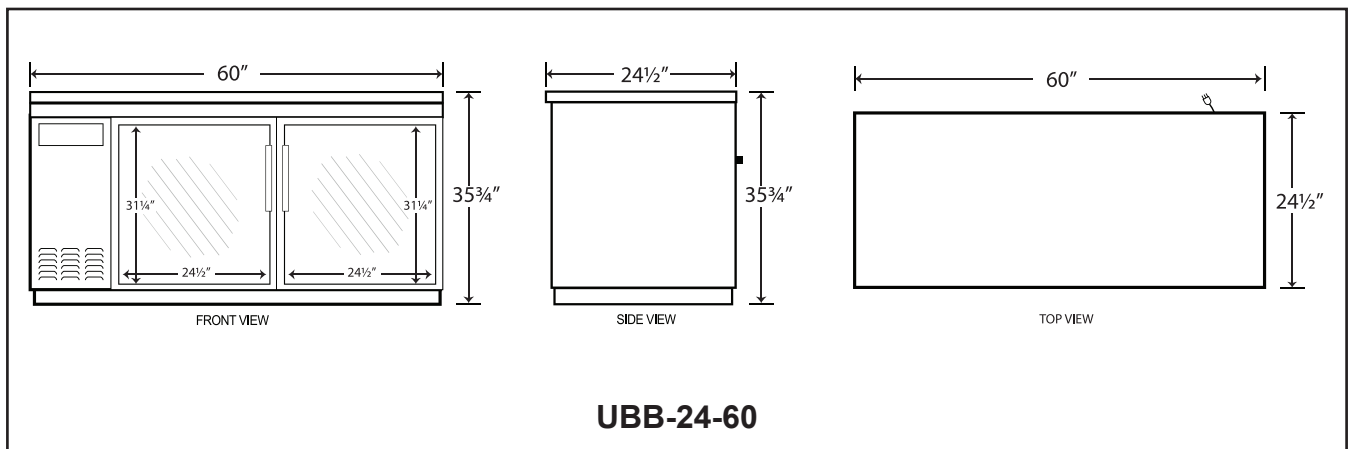
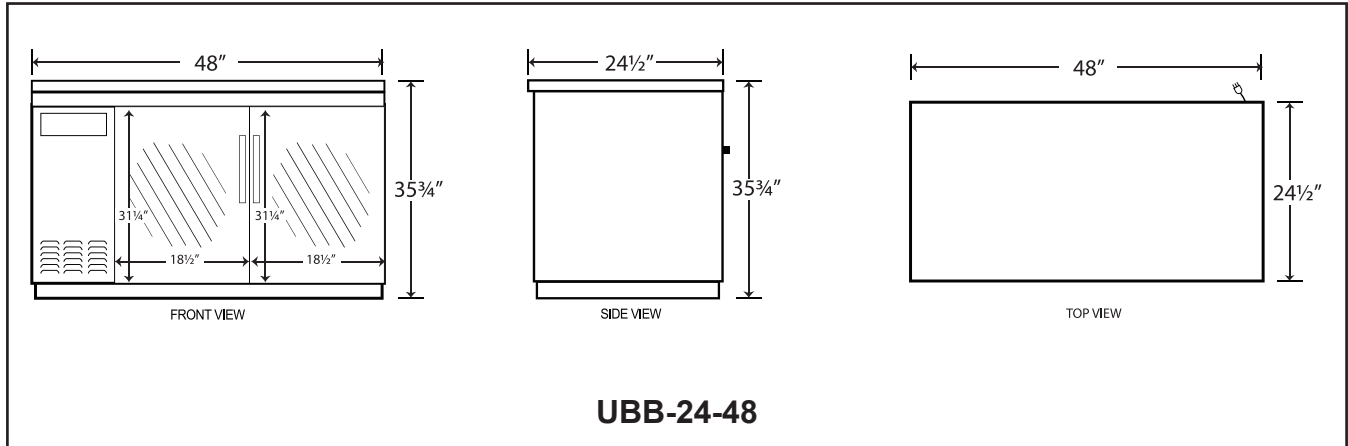
Mississauga, Ontario, Canada

Niagara Falls, New York, USA

Tel: (905) 828-0234 Toll-Free: 1-800-465-0234 Fax: (905) 607-0234 Email: sales@omcan.com

www.omcan.com

REFRIGERATION



Mississauga, Ontario, Canada

Niagara Falls, New York, USA

Tel: (905) 828-0234 Toll-Free: 1-800-465-0234 Fax: (905) 607-0234 Email: sales@omcan.com

www.omcan.com