



VACUUM PACKAGING

TABLETOP VACUUM PACKAGING MACHINE

Item: 44594 | Model: VP-CN-0500

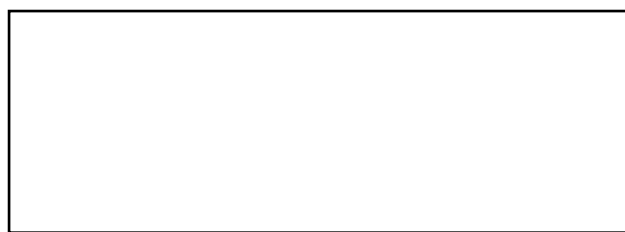


PACK AND SEAL YOUR PRODUCTS IN MINUTES!

Omcan's tabletop vacuum packaging machine is constructed of high-quality stainless steel. Easy to operate and clean, it helps you pack your products quick and easy!



LIMITED
WARRANTY
PARTS AND LABOR

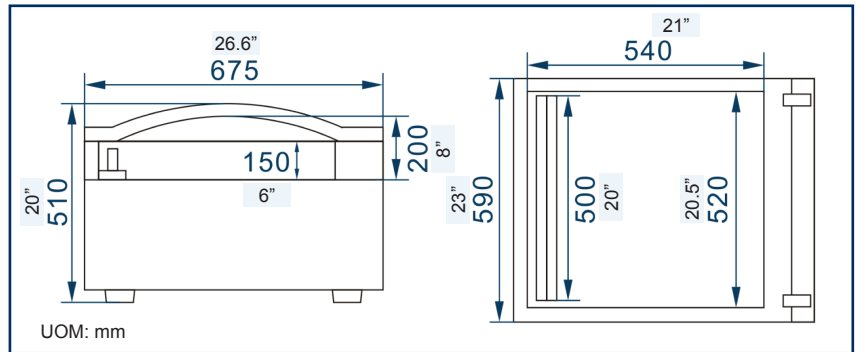


Authorized Dealer



FEATURES

- *Control System:* The PC control panel provides several control modes for user's selection.
- *Material of Main Structure:* 304 stainless steel.
- *Hinges on Lid:* The special labor-saving hinges on the lid markedly reduce the labor intensity of operator in daily work, so that they handle it with ease.
- *"V" Lid Gasket:* The "V" shaped vacuum chamber lid gasket made of high-density material guarantees the sealing performance of the machine in routine work.
- *Easy to operate, clean and maintain.*



TECHNICAL SPECIFICATIONS

| | |
|------------------------------------|--|
| ITEM NUMBER | 44594 |
| MODEL | VP-CN-0500 |
| POWER CONSUMPTION | 0.75 kW |
| PUMP CAPACITY (m ³ /h): | 20 m ³ /h |
| PRODUCTION CYCLE (Bags per min.) | 1-2 bags per minute |
| ELECTRICAL | 110V / 60Hz / 1Ph |
| CHAMBER DIMENSIONS | 21.25" x 20.47" x 7.87" / 540 x 520 x 200 mm |
| SEALER DIMENSIONS | 20.47" x 0.078" x 0.31" / 520 x 2 x 8 mm |
| OVER-ALL DIMENSIONS | 26.57" x 23.2" x 20" / 675 x 590 x 510 mm |
| GROSS DIMENSIONS | 29.52" x 25.9" x 22" / 750 x 660 x 560 mm |
| NET WEIGHT | 191.8 lbs. / 87 kg. |
| GROSS WEIGHT | 233.69 lbs. / 106 kg. |

OMCAN INC.

Telephone: 1-800-465-0234
 Fax: (905) 607-0234
 E-mail: sales@omcan.com
 Website: www.omcan.com



Follow us to keep up to date with the latest news and offers

