

56" Three Compartment Commercial Sink with Right Drainboard - 14" x 16" Bowls



STANDARD FEATURES

- Commercial 3 Compartment Sink
- Heavy Duty 304 Stainless Steel
- 14" X 16" X 14" Bowl Size
- Rolled Edges and Backsplash
- Includes Basket and Drain
- Adjustable Bullet Feet
- Optional Cross Bracing
- Pre-punched Faucet Holes, 8" Centers

Wash pots and pans or prep food with this Prepline XS3C-1416-R 56" commercial stainless steel three compartment sink with right drainboard.

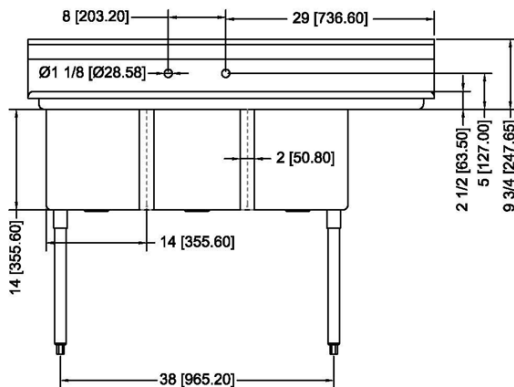


TECHNICAL DATA

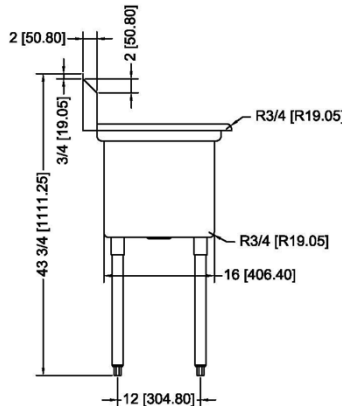
Model	Length	Width	Height	Working Height	Bowl L to R	Bowl F to B	Bowl Depth	Drainboard
XS3C-1416-R	56.5"	21.5"	43.75"	36.5"	14"	16"	14"	Right

SKU: XS3C-1416-R
MFR ITEM #: S3C141611-12R-318

FRONT



SIDE



TOP

